

MULTITASK ELECTRONICS PROVIDE CUSTOMIZED
SOLUTIONS FOR SPECIAL REQUIREMENTS.



12 panels (18kWh/day)
120/240VAC output
7kW rated
12kW surge
6x16-foot trailer platform
35kWh battery capacity



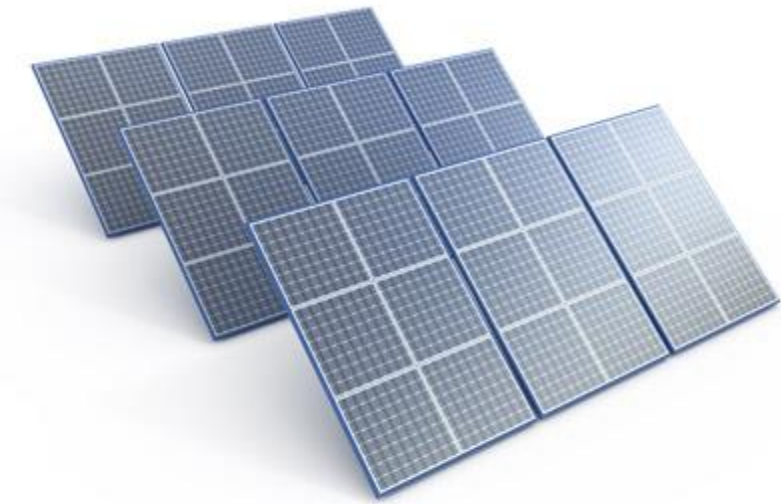
The MS-325 is big on solar,
battery and inverter output – what more could you need?
With a 35 kilowatt-hour battery and an inverter system capable of surging to 12kW,
there's little this unit cannot do...
Perfect for off-grid homes, remote research sites and agricultural applications.



www.multitaskelectronics.com



MULTITASK ELECTRONICS PROVIDE CUSTOMIZED
SOLUTIONS FOR SPECIAL REQUIREMENTS.



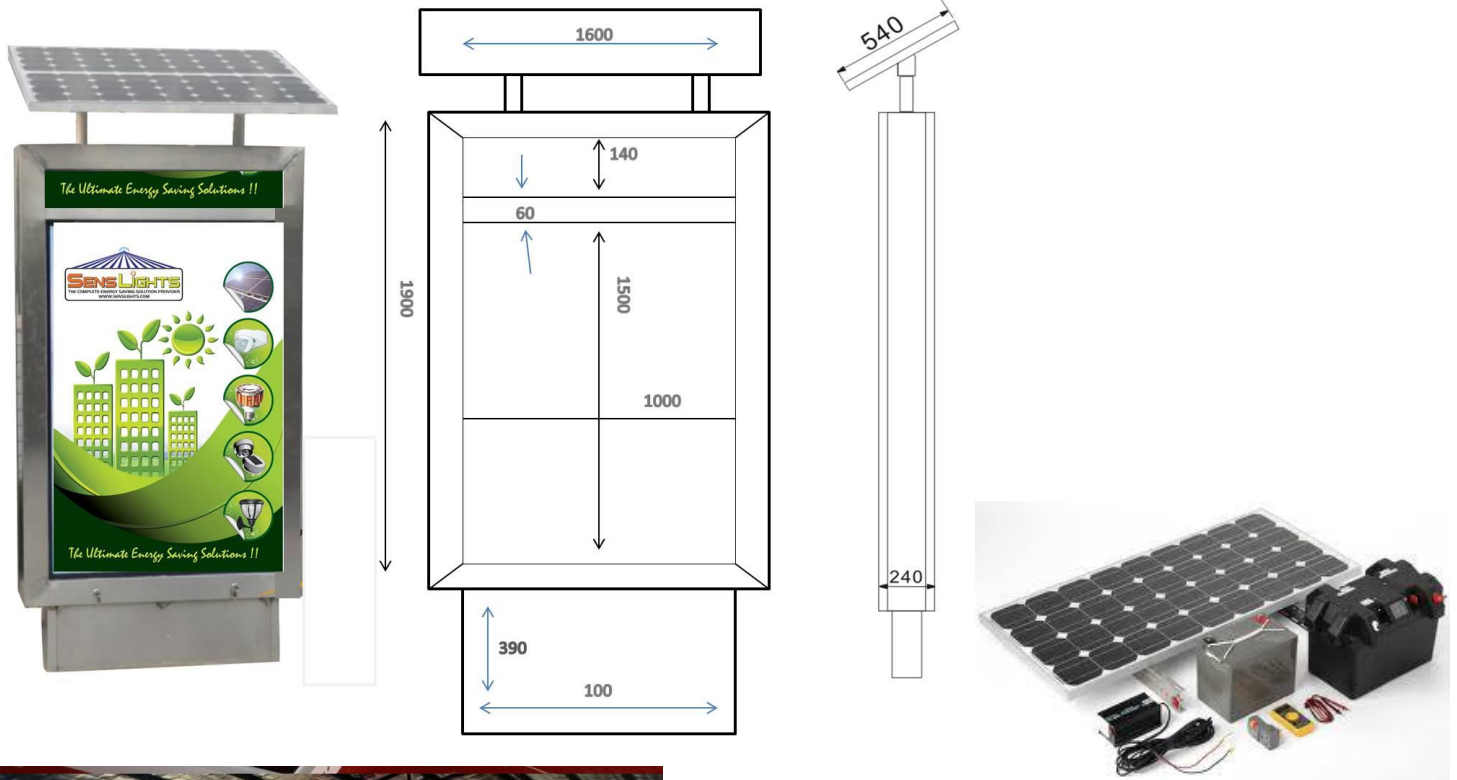
www.multitaskelectronics.com



MULTITASK ELECTRONICS PROVIDE CUSTOMIZED SOLUTIONS FOR SPECIAL REQUIREMENTS.



Solar Display
solar Mupi



Light box with door frames
5mm tempered glass
Hydraulic rod support system
Invisible door hinges system
Door lock system
Seal deals
electrostatic powder coating
Heat emission hole system
Light box base
All are high quality standard



MULTITASK ELECTRONICS PROVIDE CUSTOMIZED SOLUTIONS FOR SPECIAL REQUIREMENTS.

Solar mobile Lights tower



Mobile Solar Lighting Tower

Portable Solar Power System



MULTITASK ELECTRONICS PROVIDE CUSTOMIZED
SOLUTIONS FOR SPECIAL REQUIREMENTS.

Solar mobile Lights tower



www.multitaskelectronics.com



MULTITASK ELECTRONICS PROVIDE CUSTOMIZED SOLUTIONS FOR SPECIAL REQUIREMENTS.



OVERVIEW

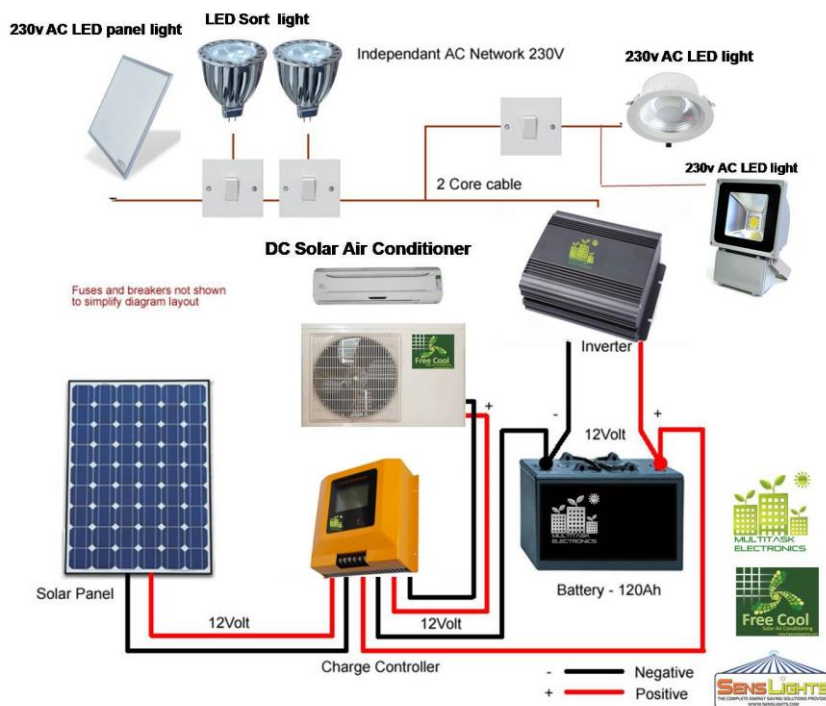
Solar energy is environmental friendly, safe and in abundant supply. In addition it is far better for the environment and can help offset energy costs. all over the world Solar offers homeowners in many countries complete solar solutions that cater to different building applications with varying system sizes of 1.5 kW (CS1500), 3.0 kW (CS3000), 5.0 kW (CS5000) and 10 kW (CS10000). We also provide customized solutions for special requirements.

BENEFITS

Installing a residential solar power system is a great way to do the right thing for the environment and cut energy costs over the long term. In addition, many governments and municipalities offer financial support for solar power system installation as well as pay you for excess power fed into the grid, so even when you're not using the system it is still working for you.

SOLUTIONS

Because homes come in different sizes our residential power systems do too. You can invest in a 1.5 kW (CS1500), 3.0 kW (CS3000), 5.0 kW (CS5000) or 10 kW (CS10000) system. And we can also provide you with a solar energy system customized to your specific requirements.



MULTITASK ELECTRONICS PROVIDE CUSTOMIZED SOLUTIONS FOR SPECIAL REQUIREMENTS.

